



Report

US \$44.99

2022 Mercedes-Benz GLS 450

41,444 mi | VIN: 4JGFF5KE9NA600379 |

4 Door Wagon/Sport Utility | 3.0L V6 F DOHC 24V | Gasoline | All wheel drive



ACCIDENT Minor Damage



Minor

Moderate

Severe

Regular Oil Changes

CARFAX 1-Owner Vehicle

Personal Vehicle

Last Owned in Pennsylvania

18 Detailed Records Available

This CARFAX Vehicle History Report is based only on information supplied to CARFAX and available as of 5/15/26 at 12:59:10 PM (CDT). Other information about this vehicle, including problems, may not have been reported to CARFAX. Use this report as one important tool, along with a vehicle inspection and test drive, to make a better decision about your next used car.



Accident / Damage History

Not all accidents / issues are reported to CARFAX

Event 1

01/11/2024

Damage reported: minor damage

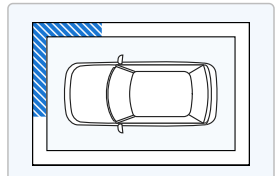
Damage Severity Scale



Minor

Moderate

Severe



Event 2

01/03/2026

Accident reported: minor damage

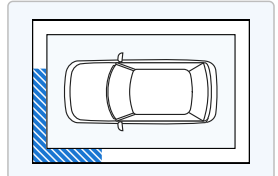
Damage Severity Scale



Minor

Moderate

Severe



Recent Service Highlights

Key services performed in the last 12 months

Service	Comments	Date
Oil	✓ Oil and filter changed	03/12/2026
Tires	✓ Tires rotated	08/09/2025
Brakes	✓ Brake fluid flushed/changed	08/09/2025

This car has been recently serviced. That's a good thing!

Additional History Not all accidents / issues are reported to CARFAX	👤 Owner 1
Total Loss No total loss reported to CARFAX.	✓ No Issues Reported
Structural Damage CARFAX recommends that you have this vehicle inspected by a collision repair specialist.	✓ No Issues Reported
Airbag Deployment No airbag deployment reported to CARFAX.	✓ No Issues Reported
Odometer Check No indication of an odometer rollback.	✓ No Issues Indicated
Accident / Damage Damage reported: 01/11/2024. Accident reported: 01/03/2026.	Minor Damage
Manufacturer Recall No open recalls reported to CARFAX.	✓ No Recalls Reported
Basic Warranty Original warranty estimated to have expired.	Warranty Expired


Title History CARFAX guarantees the information in this section	👤 Owner 1
Damage Brands Salvage Junk Rebuilt Fire Flood Hail Lemon	✓ Guaranteed No Problem
Odometer Brands Not Actual Mileage Exceeds Mechanical Limits	✓ Guaranteed No Problem

GUARANTEED - None of these title problems were reported by a U.S. state Department of Motor Vehicles (DMV). If you find that any of these title problems were reported by a DMV and not included in this report, you may qualify.
[View Terms](#) | [View Certificate](#)

Ownership History The number of owners is estimated	👤 Owner 1
Year purchased	2021
Type of owner	Personal
Estimated length of ownership	4 yrs. 3 mo.
Owned in the following states/provinces	Pennsylvania
Estimated miles driven per year	9,711/yr
Last reported odometer reading	41,444







Detailed History

 **Owner 1**
Purchased: 2021

Low mileage! This owner drove less than the industry average of 15,000 miles per year.

Personal Vehicle
9,711 mi/yr

Date	Mileage	Source	Comments
10/22/2021	5	Mercedes-Benz of Wilmington Wilmington, DE 302-995-2211 mbofwilmington.com/ ★ 4.7 / 5.0 370 Verified Reviews ♥ 4,525 Customer Favorites	 Vehicle serviced - Pre-delivery inspection completed - Wheel locks installed - Vehicle washed/detailed
12/01/2021	10	Pennsylvania Motor Vehicle Dept.	Vehicle purchase reported - Titled or registered as personal vehicle
12/27/2021		Pennsylvania Motor Vehicle Dept. Wayne, PA	Title issued or updated - First owner reported
11/01/2022	8,070	Euro Motorcars Devon, Inc. Devon, PA 610-687-1500 mbofdevon.com ★ 4.7 / 5.0 845 Verified Reviews ♥ 9,870 Customer Favorites	 Vehicle serviced - Maintenance inspection completed - 10,000 mile service performed - Antifreeze/coolant checked - Anti-theft/keyless remote battery replaced - Battery/charging system checked - Battery charged - Brakes checked - Brake fluid checked - Computer(s) checked - Computer reprogrammed - Fluids checked - Fuel system cleaned/serviced - Hood operation checked - Emissions inspection performed - Emissions or safety inspection performed - Maintenance reminder reset - Oil and filter changed - Tire condition and pressure checked - Tires rotated
11/01/2022		Inspection Station	Passed emissions inspection
03/17/2023	11,039	Euro Motorcars Devon, Inc. Devon, PA 610-687-1500 mbofdevon.com ★ 4.7 / 5.0 845 Verified Reviews ♥ 9,870 Customer Favorites	 Vehicle serviced - Pre-delivery inspection completed - Maintenance inspection completed
10/31/2023	16,973	Inspection Station	Passed emissions inspection
11/02/2023	16,974	Euro Motorcars Devon, Inc. Devon, PA 610-687-1500 mbofdevon.com ★ 4.7 / 5.0 845 Verified Reviews ♥ 9,870 Customer Favorites	 Vehicle serviced - Maintenance inspection completed - 20,000 mile service performed - Antifreeze/coolant checked - Anti-theft/keyless remote battery replaced - Axles checked - Battery/charging system checked - Brakes checked - Brake fluid checked - Brake fluid flushed/changed - Cabin air filter replaced/cleaned - Drive belts checked - Driveshaft checked - Engine checked - Fluids checked - Fuel system checked - Fuel pump module replaced

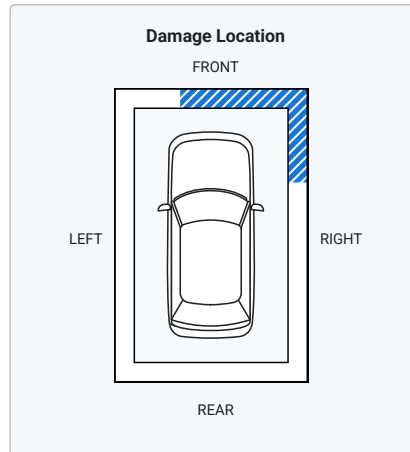
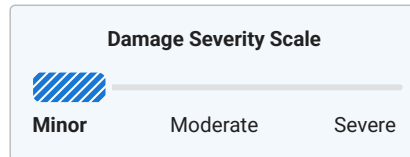
- Fuel pump replaced
- Fuel system cleaned/serviced
- Hood operation checked
- Emissions inspection performed
- Emissions or safety inspection performed
- Maintenance reminder reset
- Oil and filter changed
- Parking brake system checked
- Steering/suspension checked
- Tire condition and pressure checked
- Tires rotated
- Two tires balanced
- Two tires mounted
- Two tires replaced

01/11/2024

Damage Report

Damage reported: minor damage

- Damage to right front
- Damage to front



Minor damage is usually cosmetic, including dents or scratches to the vehicle body.

04/17/2024

20,139

Euro Motorcars Devon, Inc.
Devon, PA
610-687-1500
mbofdevon.com
★ 4.7 / 5.0 845 Verified Reviews
❤️ 9,870 Customer Favorites



Vehicle serviced

- Maintenance inspection completed
- Battery charged
- Computer(s) checked
- Computer reprogrammed
- One tire balanced
- One tire mounted

10/21/2024

24,961

Inspection Station

Passed emissions inspection

10/24/2024

24,964

Euro Motorcars Devon, Inc.
Devon, PA
610-687-1500
mbofdevon.com
★ 4.7 / 5.0 845 Verified Reviews
❤️ 9,870 Customer Favorites



Vehicle serviced

- Maintenance inspection completed
- 30,000 mile service performed
- Antifreeze/coolant checked
- Anti-theft/keyless remote battery replaced
- Battery/charging system checked
- Brakes checked
- Brake fluid checked
- Cabin air filter replaced/cleaned
- Fluids checked
- Fuel system cleaned/serviced
- Hood operation checked
- Emissions inspection performed
- Emissions or safety inspection performed
- Maintenance reminder reset
- Oil and filter changed
- Tire condition and pressure checked

- Tires rotated

08/09/2025

34,579

Euro Motorcars Devon, Inc.
Devon, PA
610-687-1500
mbofdevon.com

★ 4.7 / 5.0 845 Verified Reviews

♥ 9,870 Customer Favorites



Vehicle serviced

- Maintenance inspection completed
- 40,000 mile service performed
- Antifreeze/coolant checked
- Anti-theft/keyless remote battery replaced
- Axles checked
- Battery/charging system checked
- Brakes checked
- Brake fluid checked
- Brake fluid flushed/changed
- Cabin air filter replaced/cleaned
- Drive belts checked
- Driveshaft checked
- Engine checked
- Fluids checked
- Fuel system cleaned/serviced
- Hood operation checked
- Maintenance reminder reset
- Oil and filter changed
- Parking brake system checked
- Power steering checked
- Steering/suspension checked
- Tire condition and pressure checked
- Tires rotated

11/13/2025

38,220

Inspection Station

Passed emissions inspection

11/18/2025

Euro Motorcars Devon, Inc.
Devon, PA
610-687-1500
mbofdevon.com

★ 4.7 / 5.0 845 Verified Reviews

♥ 9,870 Customer Favorites



Vehicle serviced

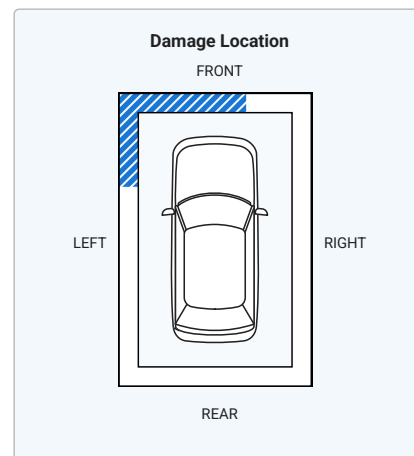
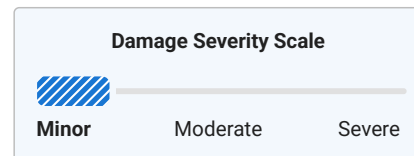
- Pre-delivery inspection completed
- Maintenance inspection completed
- Brakes checked
- Charcoal/vapor canister replaced
- Electrical system checked
- Emissions inspection performed
- Emissions or safety inspection performed
- Safety inspection performed
- Wheel(s) replaced

01/03/2026

Damage Report

Accident reported: minor damage

- Damage to left front
- Damage to front



Minor damage is usually cosmetic, including dents or scratches to the vehicle body.

03/07/2026

41,437

Hill Cadillac
Newtown Square, PA

Vehicle offered for sale

610-356-4900
hillcadillac.com/
★ 4.7 / 5.0 15 Verified Reviews
♥ 1 Customer Favorite

03/12/2026

41,444

Hill Cadillac
Newtown Square, PA
610-356-4900
hillcadillac.com/
★ 4.7 / 5.0 15 Verified Reviews
♥ 1 Customer Favorite



Vehicle serviced

- Pre-delivery inspection completed
- Brakes checked
- Emissions inspection performed
- Emissions or safety inspection performed
- Oil and filter changed
- Wipers/washers checked
- Wiper(s) replaced

Looks like this dealer serviced the car in order to prepare it for sale. That's a good thing!

This vehicle's oil change history, as reported to CARFAX, follows the manufacturer's recommendation. Track your service history for free at [/carfax.com/service](https://www.carfax.com/service).

Have Questions? Please visit our Help Center at www.carfax.com.



Glossary

Accident Indicator

CARFAX receives information about accidents in all 50 states, the District of Columbia and Canada.

Not every accident is reported to CARFAX. As details about the accident become available, those additional details are added to the CARFAX Vehicle History Report. CARFAX recommends that you have this vehicle inspected by a qualified mechanic.

- According to the National Safety Council, Injury Facts, 2021 edition, 5% of the 276 million registered vehicles in the U.S. were involved in an accident in 2019. Over 77% of these were considered minor or moderate.
- This CARFAX Vehicle History Report is based only on information supplied to CARFAX and available as of 5/15/26 at 12:59:10 PM (CDT). Other information about this vehicle, including problems, may not have been reported to CARFAX. Use this report as one important tool, along with a vehicle inspection and test drive, to make a better decision about your next used car.

CARFAX Well Maintained - Regular Oil Changes

CARFAX identifies a "Well Maintained - Regular Oil Change" vehicle as having a regular oil change history when all its recommended oil changes, based on the vehicle's maintenance schedule, have been reported to CARFAX. CARFAX uses the manufacturer's schedule and assumes normal driving conditions. When an oil change schedule is not available, CARFAX may analyze reported service events to determine what is typical for the same make and model vehicle. Dealers and service shops may publish different recommended service schedules.

Damage Indicator

Damage can be a result of many different types of events. Examples include contact with objects (other cars, trees, traffic signs, road debris, etc), vandalism, or weather-related events. Not every damage event is reported to CARFAX. As details about the damage event become available, those additional details are added to the CARFAX Vehicle History Report. CARFAX recommends that you have this vehicle inspected by a qualified mechanic.

- This CARFAX Vehicle History Report is based only on information supplied to CARFAX and available as of 5/15/26 at 12:59:10 PM (CDT). Other information about this vehicle, including problems, may not have been reported to CARFAX. Use this report as one important tool, along with a vehicle inspection and test drive, to make a better decision about your next used car.

Damage Severity

Damage events result in one of the following severity levels:

- Minor: Generally, minor damage is cosmetic (including dents or scratches), may only require reconditioning, and typically does not compromise a vehicle's operation and/or safety.
- Moderate: Moderate damage may affect multiple components of the vehicle and may impair the vehicle's operation and/or safety.
- Severe: Severe damage usually affects multiple components of the vehicle and is likely to compromise the vehicle's operation and/or safety.

CARFAX recommends getting a pre-purchase inspection at a certified collision repair facility.

First Owner

When the first owner(s) obtains a title from a Department of Motor Vehicles as proof of ownership.

Ownership History

CARFAX defines an owner as an individual or business that possesses and uses a vehicle. Not all title transactions represent changes in ownership. To provide estimated number of owners, CARFAX proprietary technology analyzes all the events in a vehicle history. Estimated ownership is available for vehicles manufactured after 1991 and titled solely in the US including Puerto Rico. Dealers sometimes opt to take ownership of a vehicle and are required to in the following states: Maine, Massachusetts, New Jersey, Ohio, Oklahoma, Pennsylvania and South Dakota. Please consider this as you review a vehicle's estimated ownership history.

Title Issued

A state issues a title to provide a vehicle owner with proof of ownership. Each title has a unique number. Each title or registration record on a CARFAX report does not necessarily indicate a change in ownership. In Canada, a registration and bill of sale are used as proof of ownership.

Follow Us: [facebook.com/CARFAX](https://www.facebook.com/CARFAX) [@CARFAXinc](https://twitter.com/CARFAXinc) [About CARFAX](#)

CARFAX DEPENDS ON ITS SOURCES FOR THE ACCURACY AND RELIABILITY OF ITS INFORMATION. THEREFORE, NO RESPONSIBILITY IS ASSUMED BY CARFAX OR ITS AGENTS FOR ERRORS OR OMISSIONS IN THIS REPORT. CARFAX FURTHER EXPRESSLY DISCLAIMS ALL WARRANTIES, EXPRESS OR IMPLIED, INCLUDING ANY IMPLIED WARRANTIES OF

MERCHANTABILITY OR FITNESS FOR A PARTICULAR PURPOSE.

SYSTEMATIC RETRIEVAL OF THE CONTENT OR OTHER DATA FROM THIS SITE TO CREATE OR COMPILE, DIRECTLY OR INDIRECTLY, IN WHOLE OR IN PART, A COLLECTION, COMPILATION, DATABASE OR DIRECTORY WITHOUT THE EXPRESS WRITTEN PERMISSION OF CARFAX IS STRICTLY PROHIBITED. BY USING THE CARFAX VEHICLE HISTORY REPORT YOU AGREE TO THE CARFAX TERMS OF USE AND PRIVACY STATEMENT.

© 2026 CARFAX, Inc., part of S&P Global. All rights reserved.
5/15/26 12:59:10 PM (CDT)

